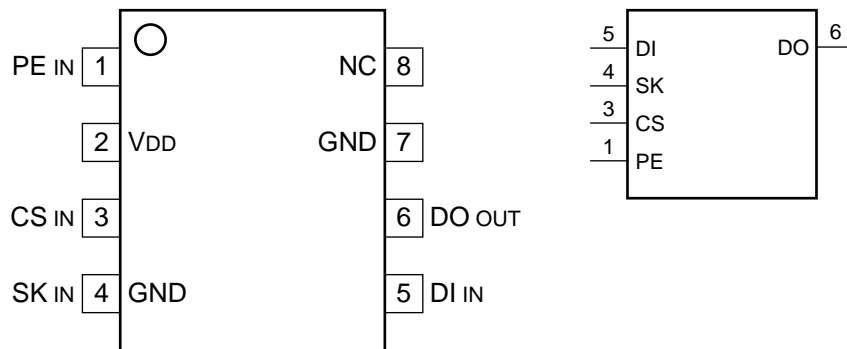


## C-MOS 4 K (256 WORD × 16)-BIT EEPROM

—TOP VIEW—

**INPUT**

CS : CHIP SELECT  
 DI : SERIAL DATA  
 PE : PROGRAM ENABLE  
 SK : SERIAL CLOCK

**OUTPUT**

DO : SERIAL DATA

